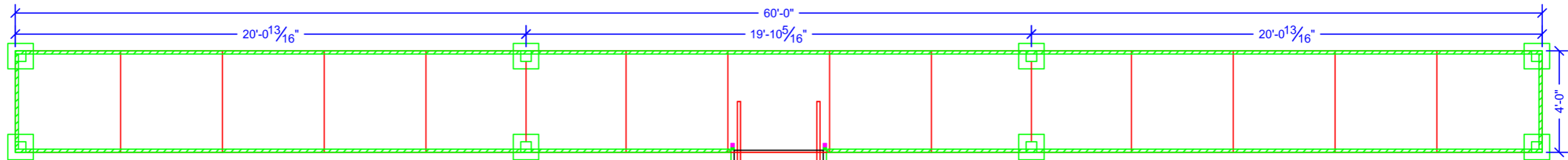


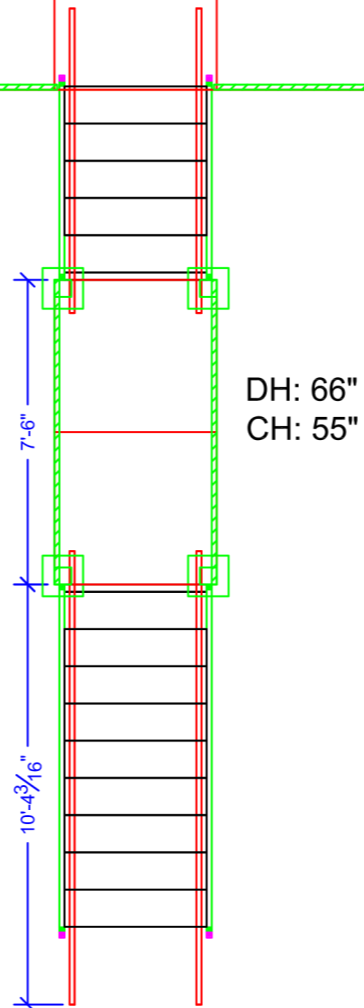
MEZZANINE FLOOR PLAN

50 PSF  
 DH: 32"  
 CH: 21"  
 CL: 2,925 LBS.



MEZZANINE FLOOR PLAN

50 PSF  
 DH: 28"  
 CH: 17"  
 CL: 2,600 LBS.



DH: 66"  
 CH: 55"