

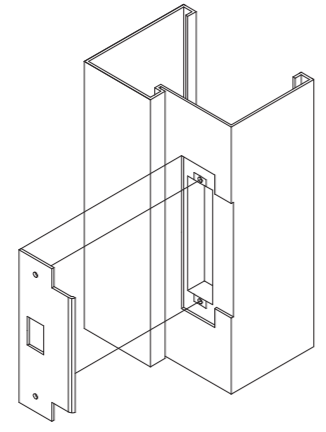
1

**KNOCKED DOWN
CORNER CONSTRUCTION**

UNIVERSAL (4-7/8")
ANSI A114.1 & 2 TEMPLATE
12 GAGE STEEL REINFORCING
STANDARD FOR 1-3/4" DOORS

CYLINDRICAL (2-3/4")
ANSI A115.2 TEMPLATE
14 GAGE STEEL REINFORCING

ALSO AVAILABLE WITHOUT
UP CUTOUT FOR DEADLOCKS

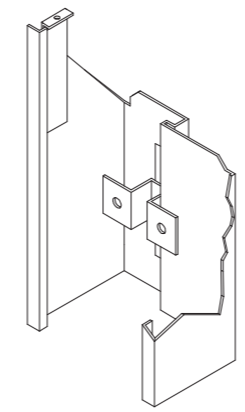


4

**LOCK STRIKE
PREPARATION**

ONE EACH
JAMB

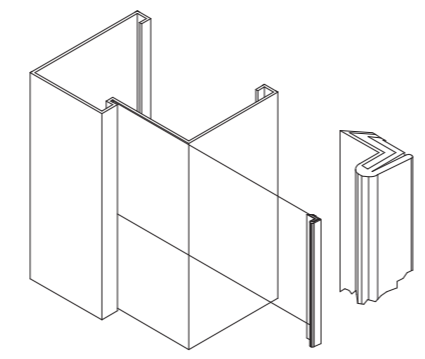
ADJUST WITH
SCREWDRIVER



2

**ADJUSTABLE
PLUMB ANCHOR**

WEATHER STRIP
FITS INTO CURVE
IN FRAME
(ALL AROUND)

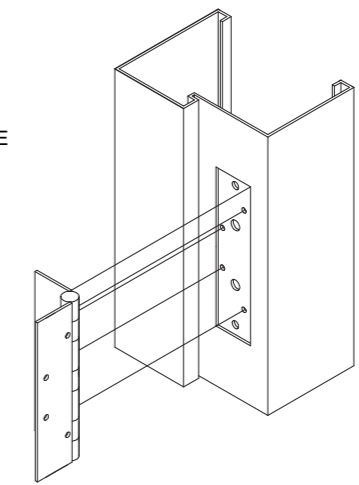


5

**WEATHER STRIP
KIT ATTACHMENT**

4-1/2" X .134" OR
4-1/2" X .180"
ANSI A156.7 TEMPLATE
7 GAGE STEEL
REINFORCING

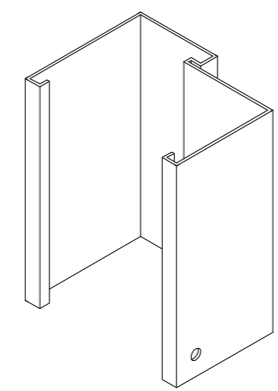
BACKSET 5/16"



3

HINGE PREPARATION

DIMPLED HOLE
FOR #8 FH
FASTENER
FASTENER IS BY
CONTRACTOR AND
MUST BE LONG
ENOUGH TO
ENGAGE STUD



6

**STANDARD SILL
ANCHOR**

NOTES:
1) KERFED FRAME DOOR DETAILS

PANEL-BUILT		I N C
DOOR DETAILS		
DATE: 5/18/2001	Phone: 706-745-6540	Designed: J. Wallace
THIS DRAWING IS THE PROPERTY OF PANEL-BUILT, INC. AND MAY NOT BE USED WITHOUT EXPRESS WRITTEN PERMISSION OF PANEL-BUILT, INC. ALL INFORMATION SHOWN ON THIS DRAWING IS THE PROPERTY OF PANEL-BUILT, INC. AND MAY NOT BE USED IN WHOLE OR PART WITHOUT SPECIFIC WRITTEN PERMISSION OF PANEL-BUILT, INC.	FAX: 706-745-1450	Checked: T. Breland/J. Mcpherson
	PAGE 1 OF -	Approved: Revision: A